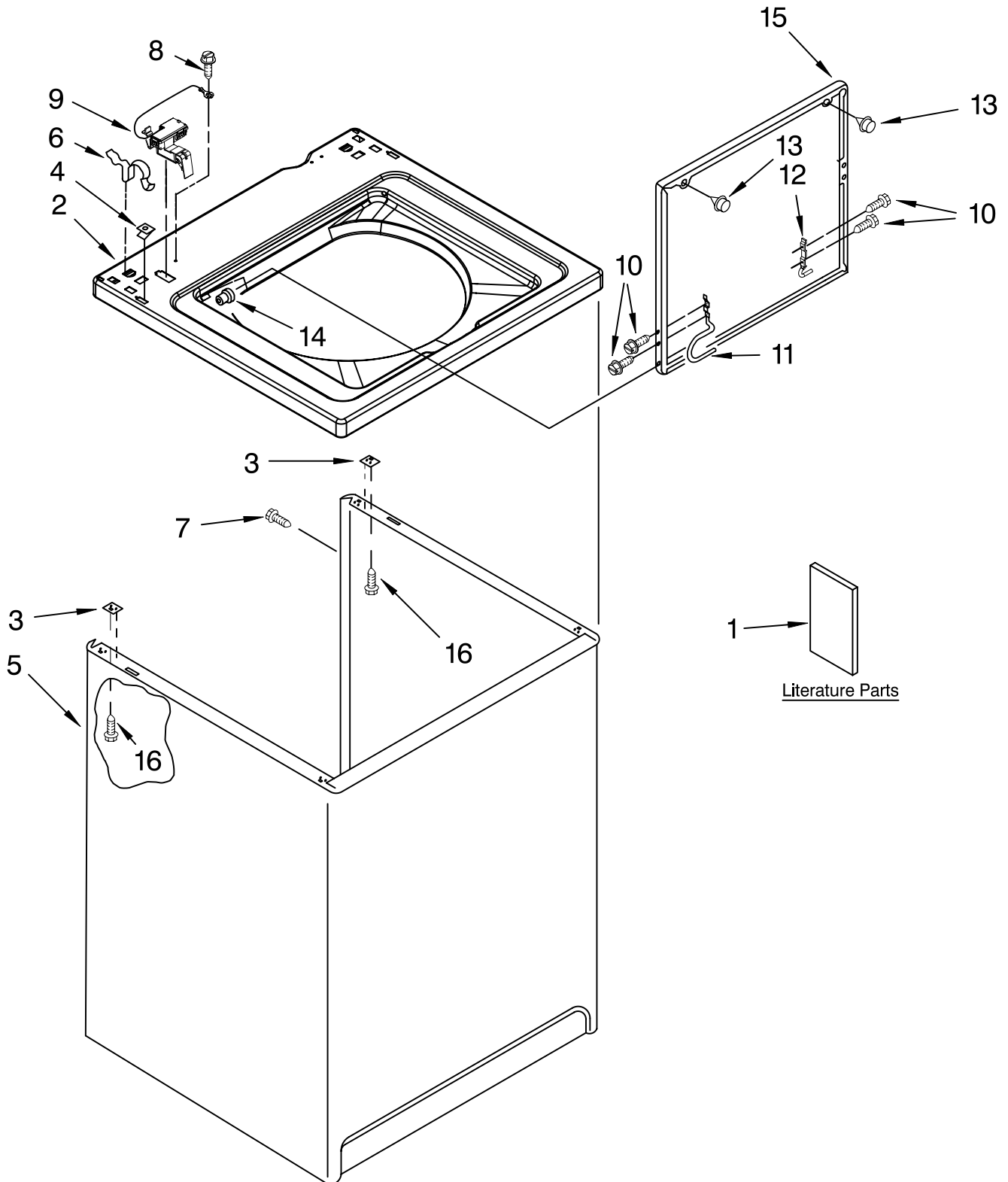




# TOP AND CABINET PARTS

For Model: WTW5200SQ0  
(White)

AUTOMATIC  
WASHER



FOR ORDERING INFORMATION REFER TO PARTS PRICE LIST

# TOP AND CABINET PARTS

For Model: WTW5200SQ0  
(White)

<b>Illus. No.</b>	<b>Part No.</b>	<b>DESCRIPTION</b>
1		Literature Parts
	W10044800	Installation Instructions
	3957874	Feature Sheet
	3955884	Use & Care Guide
	W10023690	Energy Guide
	8578871	Wiring Diagram

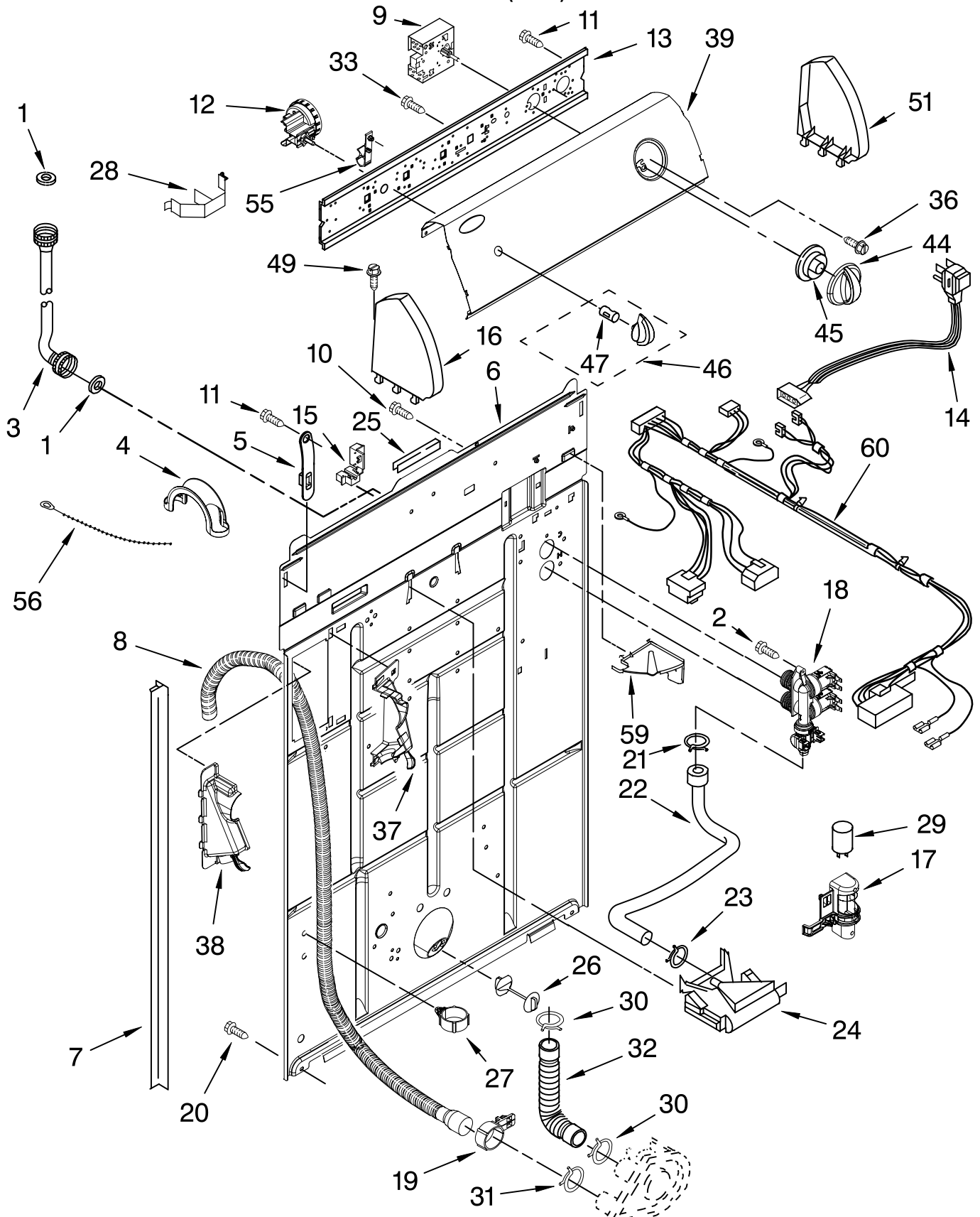
## Following May Be Purchased

### DO-IT-YOURSELF REPAIR MANUALS

	4313896	Manual, Washer
2	8318068	Top
3	62750	Spacer, Cabinet To Top (4)
4	357213	Nut, Push-In (2)
5	63424	Cabinet
6	62780	Clip, Top & Cabinet & Rear Panel (2)
7	3357011	Screw, 10-16 x 1/2
8	3351614	Screw, Ground
9	8318084	Switch, Lid
10	3351355	Screw, Lid Hinge Mounting (4)
11	8318088	Hinge, Lid (L.H.)
12	91770	Hinge, Lid (R.H.)
13	9724509	Bumper, Lid (2)
14	21258	Bearing, Lid Hinge (2)
15	8580061	Lid
16	3390631	Screw 10-16 X 3/8 (4)

# CONTROLS AND REAR PANEL PARTS

For Model: WTW5200SQ0  
(White)



FOR ORDERING INFORMATION REFER TO PARTS PRICE LIST

# CONTROLS AND REAR PANEL PARTS

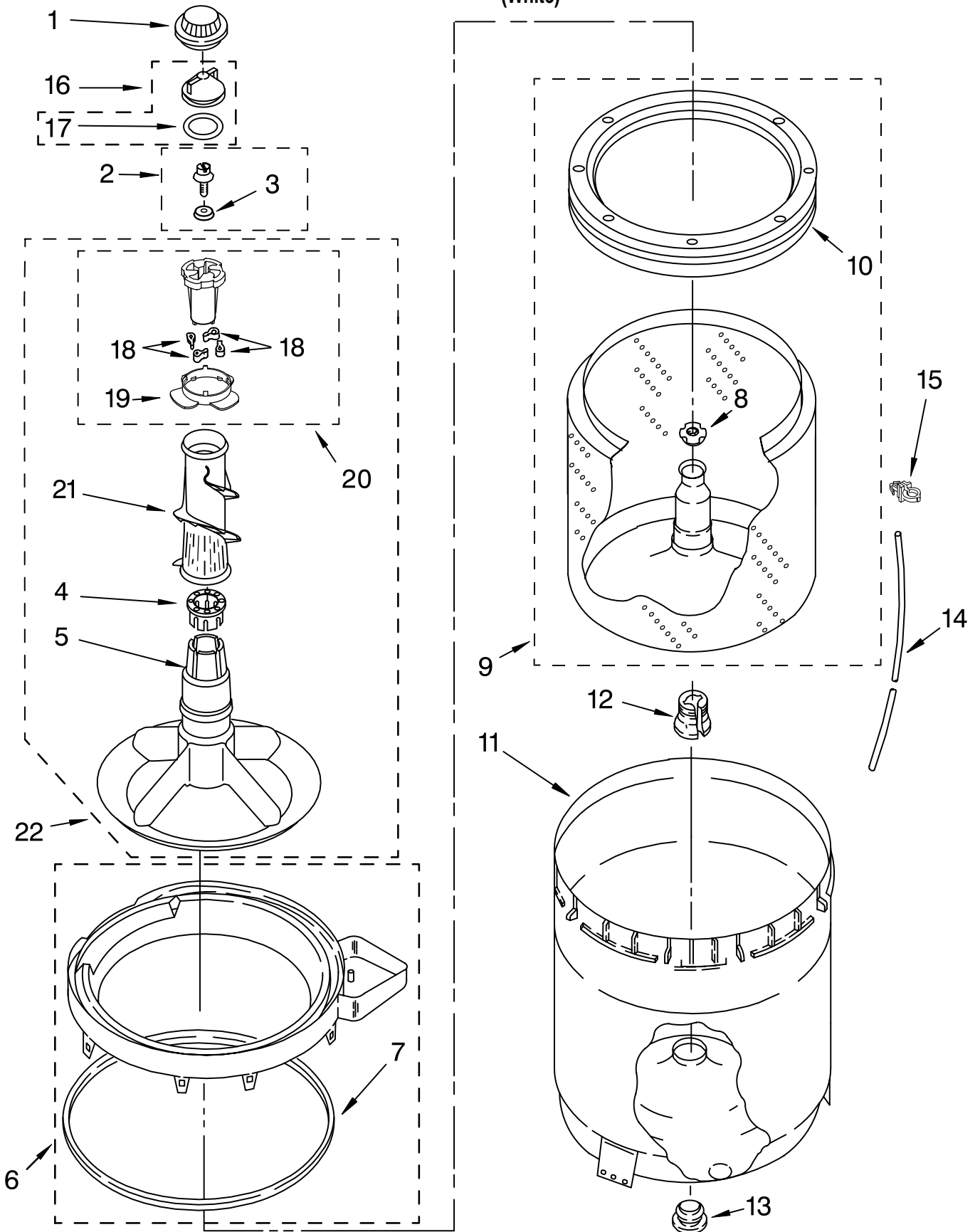
For Model: WTW5200SQ0  
(White)

Illus. No.	Part No.	DESCRIPTION	Illus. No.	Part No.	DESCRIPTION	Illus. No.	Part No.	DESCRIPTION
1	3976300	Washer, Water Inlet Hose (4) (1-1/16 x 5/8)	15	3952821	Strain Relief, Power Cord	31	8317496	Clamp, Hose
2	9740848	Screw, 8/18 x 1/2	16	8271365	Cap, End (L.H.)	32	3951449	Hose, Pump To Tub (Includes Item 30)
3		Hose, Water Inlet (2)	17	8318046	Clip, Capacitor	33	3400073	Screw, Ground
	8571377	Blue Coupler	18	8578340	Valve, Water Inlet W/Bi-Metal	36	3400818	Screw, Timer Mounting
	8571378	Red Coupler	19	8541668	Clamp, Hose	37	8541669	Bucket, Drain Hose (Left Half)
4	8577378	U-Bend, Drain Hose	20	62863	Screw, 10-16 x 3/8	38	8541658	Bucket, Drain Hose (Right Half)
5	8568314	Strap, Console (2)	21	301958	Clamp, Hose	39	8578799	Panel, Console
6	8318015	Panel, Rear	22	8317974	Hose, Vacuum Break	44	8566022	Knob, Timer
7	62747	Pad, Rear Panel	23	370450	Clamp, Hose	45	8566018	Dial, Timer
8	8559373	Drain Hose Assembly (Includes Illus. Nos. 19 & 27)	24	387606	Break, Vacuum	46	8565944	Knob, Control
9	8578869	Timer, Control (60 Hz.) (Motor Not A Service Part)	25	303294	Edge Protector	47	8536939	Clip, Knob
			26	8519200	Support, Rear Panel	49	388326	Screw, Console (Panel to Top)
10	3351614	Screw, Ground	27	8541667	Clamp, Hose	51	8271359	Cap, End (R.H.)
11	90767	Screw, 8/18 x 3/8	28	8055003	Clip, Harness & Pressure Hose	55	8317975	Retainer, Harness
12	8577845	Switch, Water Level	29	8572717	Capacitor, Motor Start	56	3347868	Cable Tie
13	8544893	Bracket, Control	30	3363366	Clamp, Hose	59	8539874	Shield, Suds
14	3956162	Cord, Power (Includes Item 15)				60	3958089	Harness, Wiring (For Detail See Page 9 & 10)

FOR ORDERING INFORMATION REFER TO PARTS PRICE LIST

# AGITATOR, BASKET AND TUB PARTS

For Model: WTW5200SQ0  
(White)



FOR ORDERING INFORMATION REFER TO PARTS PRICE LIST

# AGITATOR, BASKET AND TUB PARTS

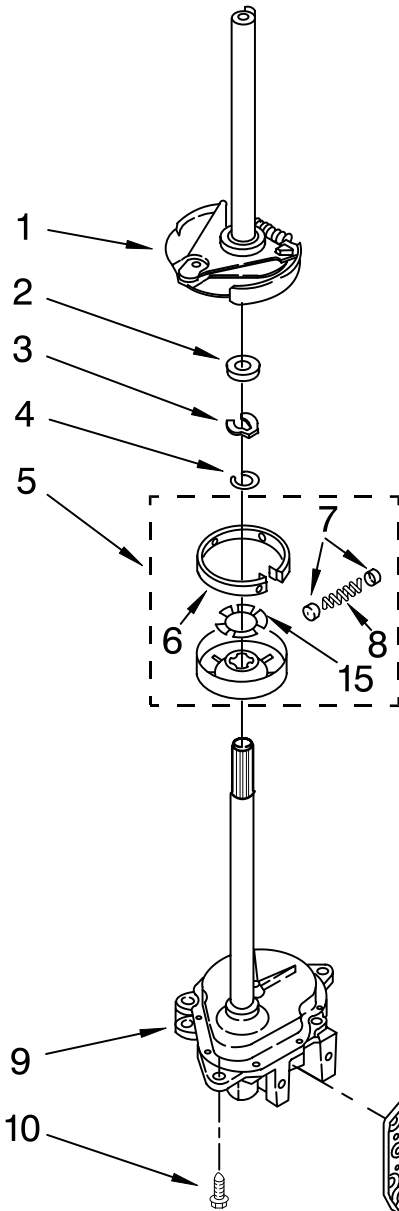
For Model: WTW5200SQ0  
(White)

<u>Illus.</u> <u>No.</u>	<u>Part</u> <u>No.</u>	<u>DESCRIPTION</u>
1	3355758	Cap, Agitator
2	358237	Screw & Washer
3	3949550	Washer
4	3350389	Spacer, Thrust
5	3347288	Agitator
6	8528150	Tub Ring
7	3976308	Gasket, Tub Ring
8	21366	Nut, Spanner
9	8526017	Basket & Balance Ring
10	8519788	Balance Ring
11	63849	Tub
12	389140	Block, Drive
13	383727	Gasket, Centerpost
14	3347780	Hose, Pressure Switch
15	2219077	Clip, Pressure Switch Hose
16	3354733	Cap, Barrier
17	3348855	Seal, Inner Cap
18	3366877	Dog, Agitator (4)
19	3363661	Bearing, Driven Cam
20	3363663	Cam, Driven
21	3348752	Clothes Mover
22	3348117	Agitator (Complete)

FOR ORDERING INFORMATION REFER TO PARTS PRICE LIST

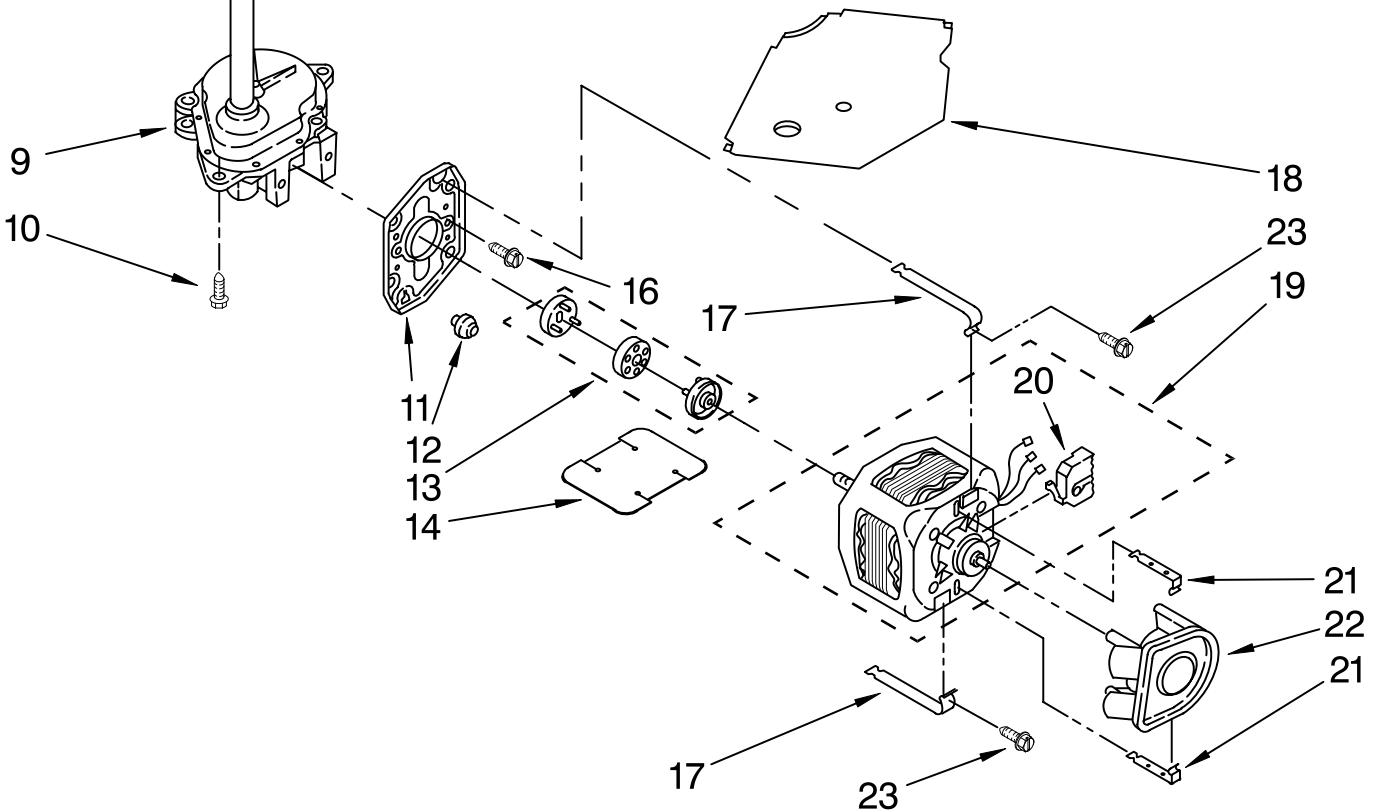
# BRAKE, CLUTCH, GEARCASE, MOTOR AND PUMP PARTS

For Model: WTW5200SQ0  
(White)



Illus. No.	Part No.	DESCRIPTION
1	388952	Brake & Drive Tube (Complete) (Refer to Page 11 For Further Breakdown)
2	63292	Washer, Spin Tube Thrust
3	62697	Ring, Spin Tube Support
4	63283	Ring, Retainer
5	3951311	Clutch (Complete)
6	3951308	Band & Lining, Clutch (Includes Items 7 & 8)
7	62646	Cap, Clutch Spring (2)
8	3946792	Spring, Clutch
9	3360630	Gearcase (Complete) (Refer To Page 12 For Further Breakdown)
10	3357334	Screw, Gearcase To Base (3)

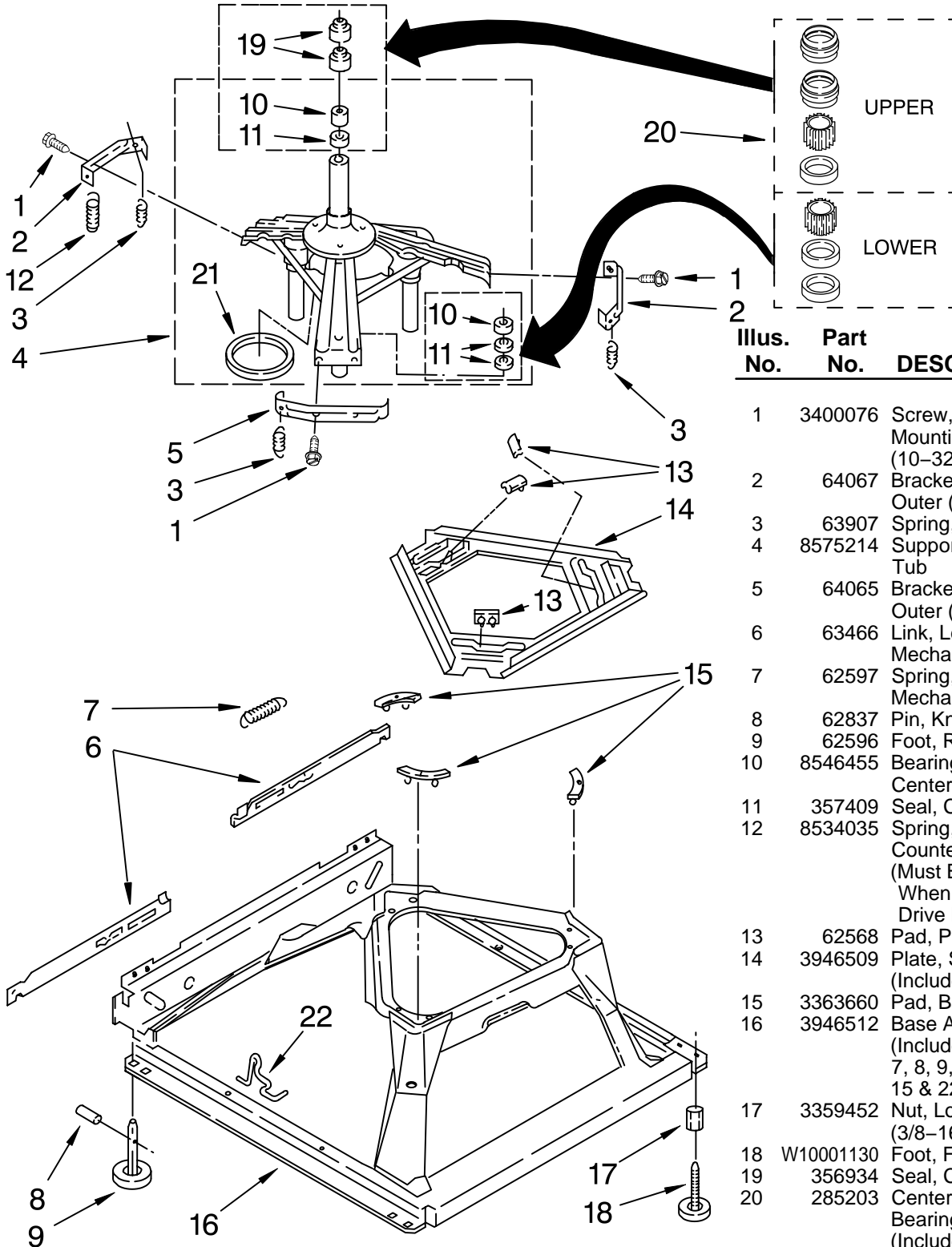
Illus. No.	Part No.	DESCRIPTION
11	62611	Plate, Motor Mount To Gearcase
12	62691	Grommet, Motor (4)
13	285753	Coupling, Motor And Isolation
14	3946532	Shield, Motor
15	3355454	Clip, Anti-Rattle
16	3400516	Screw
17	3349637	Retainer, Motor (2)
18	3362089	Shield, Tub To Motor
19	8528158	Motor, Main Drive (Spring P/N 388492 Must Be Ordered When Replacing Motor)
20	3952056	Switch, Main Drive Motor
21	8546127	Retainer, Pump (2)
22	3363394	Pump (Complete)
23	3387485	Screw, 10-16 x 5/8



FOR ORDERING INFORMATION REFER TO PARTS PRICE LIST

# MACHINE BASE PARTS

For Model: WTW5200SQO  
(White)



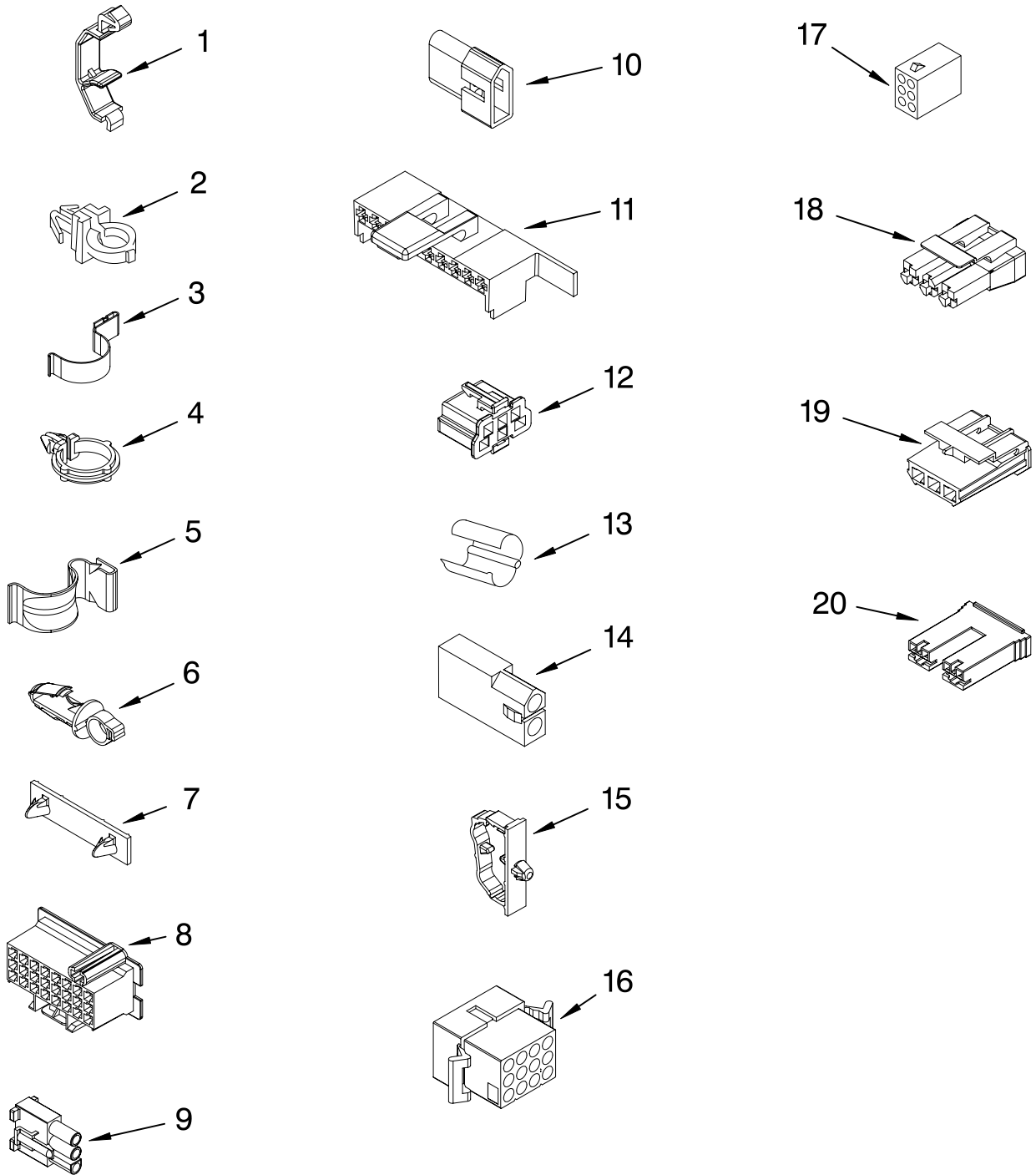
Illus. No.	Part No.	DESCRIPTION
1	3400076	Screw, Bracket Mounting (10-32 x 5/8)
2	64067	Bracket, Spring Outer (2)
3	63907	Spring, Suspension (3)
4	8575214	Support & Brake, Tub
5	64065	Bracket, Spring Outer (L.F.)
6	63466	Link, Leveling Mechanism (2)
7	62597	Spring, Leveling Mechanism
8	62837	Pin, Knurled
9	62596	Foot, Rear (2)
10	8546455	Bearing, Centerpost (2)
11	357409	Seal, Centerpost (3)
12	8534035	Spring, Counterweight (Must Be Ordered When Replacing Drive Motor)
13	62568	Pad, Plate
14	3946509	Plate, Suspension (Includes Item 13)
15	3363660	Pad, Base
16	3946512	Base Assembly (Includes Items 6, 7, 8, 9, 13, 14, 15 & 22)
17	3359452	Nut, Lock (2) (3/8-16)
18	W10001130	Foot, Front (2)
19	356934	Seal, Centerpost
20	285203	Centerpost Bearing Kit (Includes Items 10, 11 & 19)
21	63134	Ring, Sound Deadening
22	63806	Retainer, Suspension Spring

FOR ORDERING INFORMATION REFER TO PARTS PRICE LIST



# WIRING HARNESS PARTS

For Model: WTW5200SQ0  
(White)



WH2J

FOR ORDERING INFORMATION REFER TO PARTS PRICE LIST

# WIRING HARNESS PARTS

For Model: WTW5200SQ0  
(White)

Illus. No.	Part No.	DESCRIPTION	Illus. No.	Part No.	DESCRIPTION	Illus. No.	Part No.	DESCRIPTION
1	3349557	Retainer, Harness	9	62889	Receptacle, Terminal (3-Way)	16	3390423	Block, Disconnect (12-Way)
2	388498	Clip, Harness				17	3347730	Receptacle (6-Way)
3	3347812	Clip, Harness	10	353424	Plug, Terminal (3-Way)	18	3948617	Connector (T.P.A.) (3-Circuit)
4	3352501	Clip, Harness (Push-In)	11	62505	Block, Disconnect (Motor 2 Speed)	19	3360056	Plug (T.P.A.) (3-Circuit)
5	90016	Clip, Harness (Half-Harness)	12	3347243	Block, Disconnect			(Pressure Switch)
6	3390496	Clip, Harness	13	63523	Protector	20		Block, Connector
7	389379	Retainer, Harness	14	717252	Connector (2-Way)		3354925	Natural
8		Timer, Block Disconnect	15	3352944	Clip, Harness		3354926	Red
	3948614	Natural						
	352089	Black						

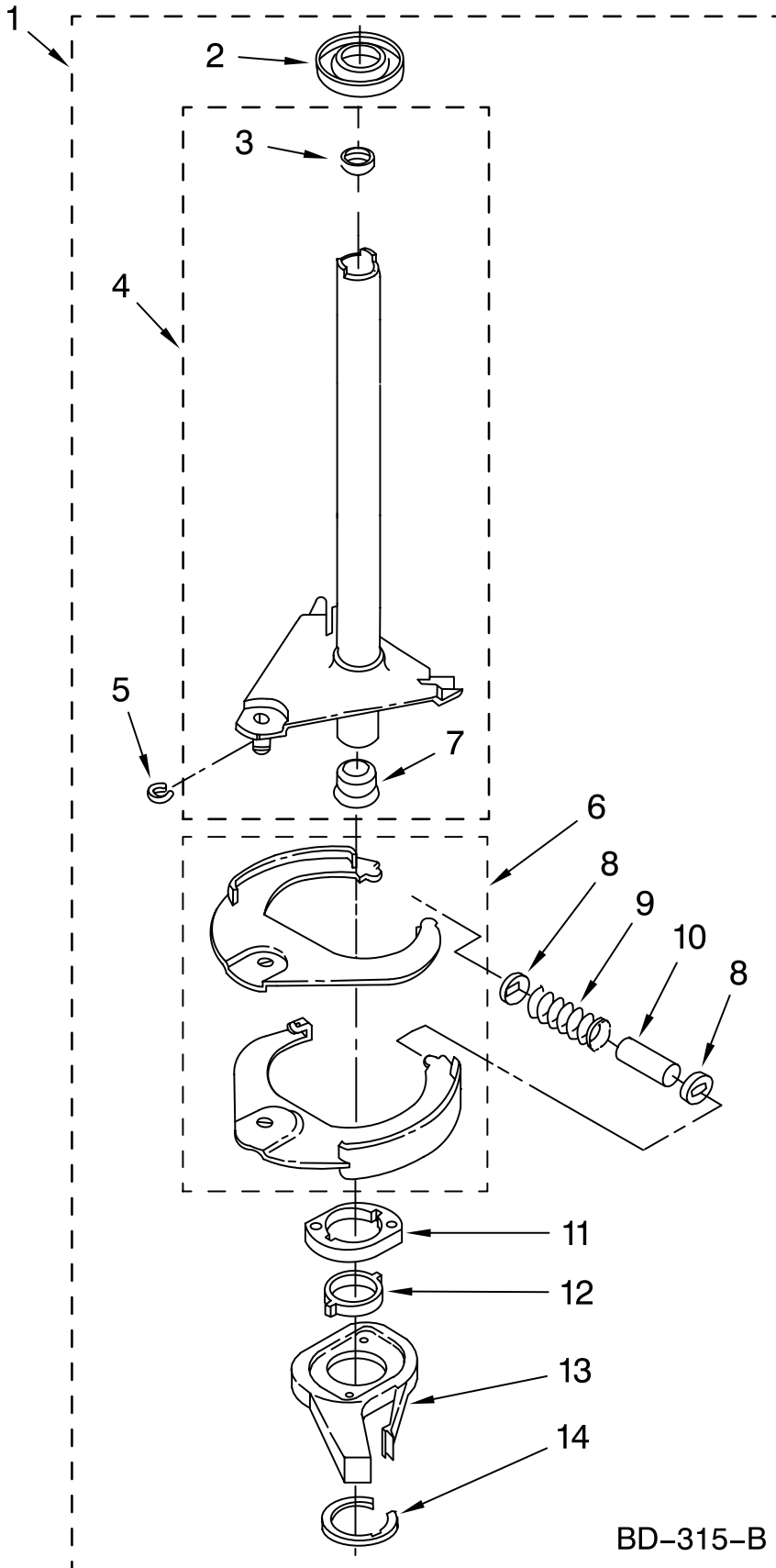
**FOR COMPLETE WIRING HARNESS REFER TO  
CONTROL AND REAR PANEL PARTS PAGE**

WH2J

FOR ORDERING INFORMATION REFER TO PARTS PRICE LIST

# BRAKE AND DRIVE TUBE PARTS

For Model: WTW5200SQ0  
(White)



Illus. No.	Part No.	DESCRIPTION
------------	----------	-------------

1	388952	Brake And Drive Tube (Complete)
2	62658	Ring, Thrust
3	356427	Seal, Drive Tube
4	64027	Tube, Basket Drive (Includes Illus. 3, 4, 5 & 9)
5	64035	Ring, Retaining
6	64232	Shoe, Brake (2)
7	62703	"T" Bearing, Spin Tube
8	3353956	Cap, Brake Spring (2)
9	387806	Spring, Brake
10	3355360	Sleeve, Brake Spring
11	661516	Cam, Brake Release
12	63022	Sleeve, Cam
13	64194	Driver, Brake Cam
14	90368	Ring, Retaining

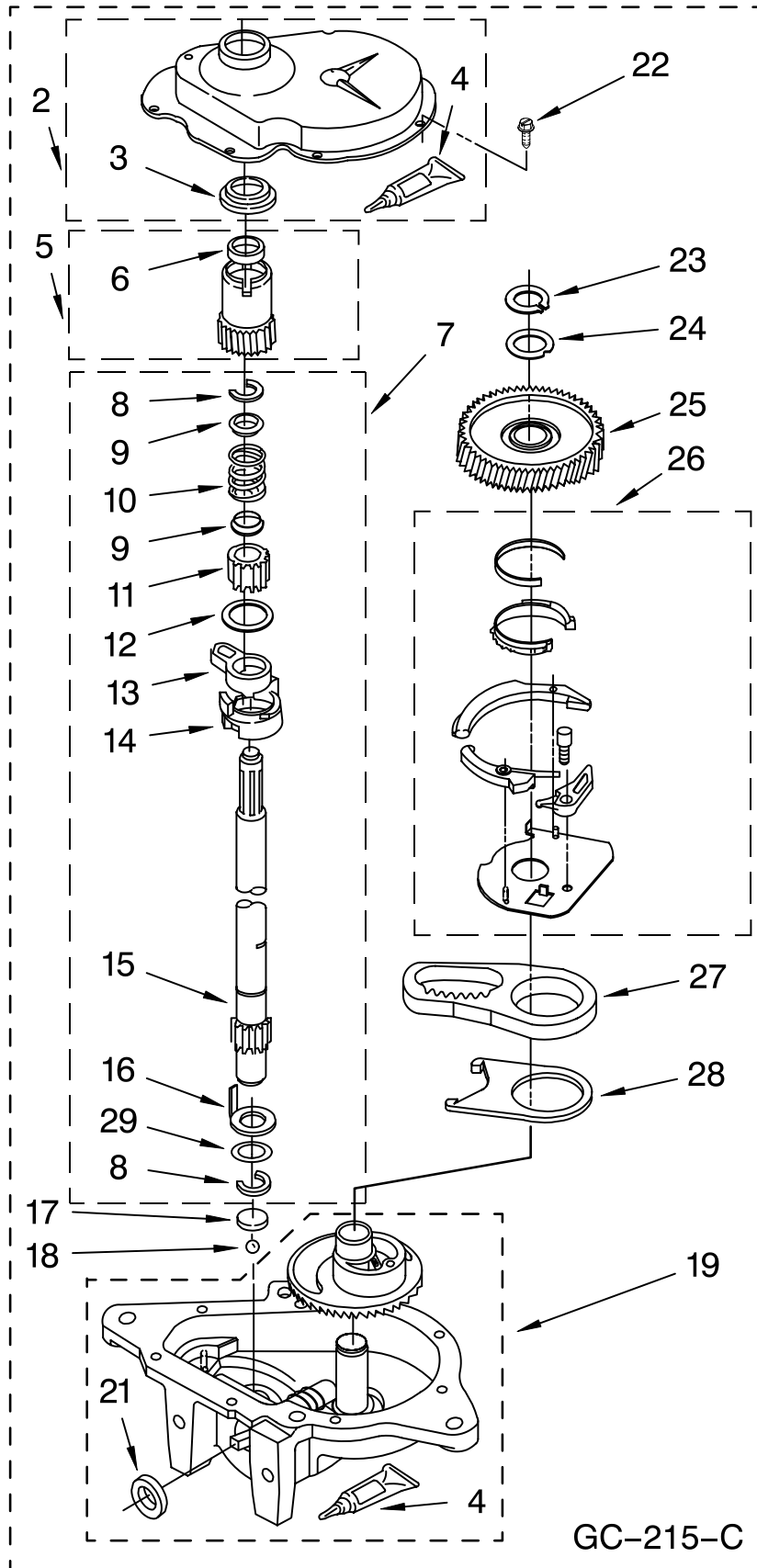
FOLLOWING PARTS NOT ILLUSTRATED

285208 Lubricant  
(Use Only In Brake Shoe Assembly On Roller & Pin)

FOR ORDERING INFORMATION REFER TO PARTS PRICE LIST

# GEARCASE PARTS

For Model: WTW5200SQ0  
(White)



Illus. No.	Part No.	DESCRIPTION
1	3360630	Gearcase (Complete)
2	285202	Cover, Gearcase
3	3349985	Seal, Gearcase Cover
4	285195	Sealer, Gasket (.20 Fl. Oz.) (6 ml)
5	63320	Pinion, Spin (Includes Illus. 25)
6	356427	Seal, Spin Pinion
7	389387	Shaft, Agitator (Complete)
8	90369	Ring, Retaining (2)
9	62677	Retainer, Spring
10	62676	Spring, Agitate
11	63273	Gear, Agitate (Includes 15 and 29)
12	62619	Washer, Agitate Gear
13	62580	Cam Follower (Includes 14)
14	62581	Cam, Agitate (Includes 13)
15	285509	Shaft, Agitator (Includes 11 and 29)
16	62618	Washer, Cam Thrust
17	16018	Bearing, Thrust
18	85529	Ball, Bearing
19	389230	Bottom and Pinion, Gearcase
21	285352	Seal, Thrust Plug
22	3351614	Screw, Gearcase Cover, Mounting (8) (10-24 x 3/8)
23	3362552	Ring, Retaining
24	285735	Washer Kit, Thrust
25	62570	Gear, Spin
26	388253	Neutral Assembly
27	3349296	Rack, Connecting
28	62621	Actuator, Shift
29	388815	Washer, Intermediate

GC-215-C

FOR ORDERING INFORMATION REFER TO PARTS PRICE LIST

# OPTIONAL PARTS (NOT INCLUDED)

For Model: WTW5200SQ0  
(White)

<b>Illus. No.</b>	<b>Part No.</b>	<b>DESCRIPTION</b>
-------------------	-----------------	--------------------

## PAINT, TOUCH-UP (1/2oz.)

72017 White

## PAINT, PRESSURIZED SPRAY (12 oz.)

350938 Primer, Gray  
350930 White

## PAINT, BULK (1 qt.)

799344 White (Uncut)

## OIL

350572 Oil, Gearcase  
(16 Oz.)

## LUBRICANT

285208 Lubricant (Use  
Only in Brake  
Shoe Assembly  
On Roller and  
Pin)

## SEALER

285195 Sealer, Gasket  
(.20 Fl. Oz.) (6 ml)

## ACCESSORY PARTS

367031 Drain Protector  
280129 Siphon Break Kit  
280130 Drain Hose  
Adapter Kit  
280131 Drain Hose  
Extension Kit

FOR ORDERING INFORMATION REFER TO PARTS PRICE LIST